

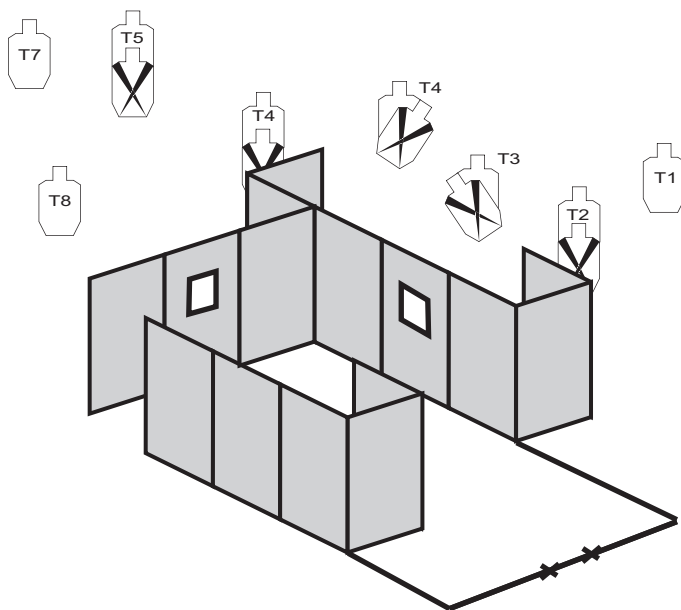
2016 USPSA CARRY OPTICS NATIONALS Stage 1

Forward II

Course Designer: Ray Hirst

- Start Position:** Heels on X's, hands naturally at side, gun loaded in ready condition and holstered.
- Procedure:** Upon start signal, engage all targets as visible, from the area indicated.
- Scoring:** Comstock, 18 rounds, 90 points
- Targets:** 8 Metric, 2 PP
- Scored Hits:** Best 2/paper, Steel: 1 KD = 1 "A"
- Start - Stop:** Audible - Last Shot
- Penalties:** Per current edition of USPSA Rule Book.

PP1 PP2

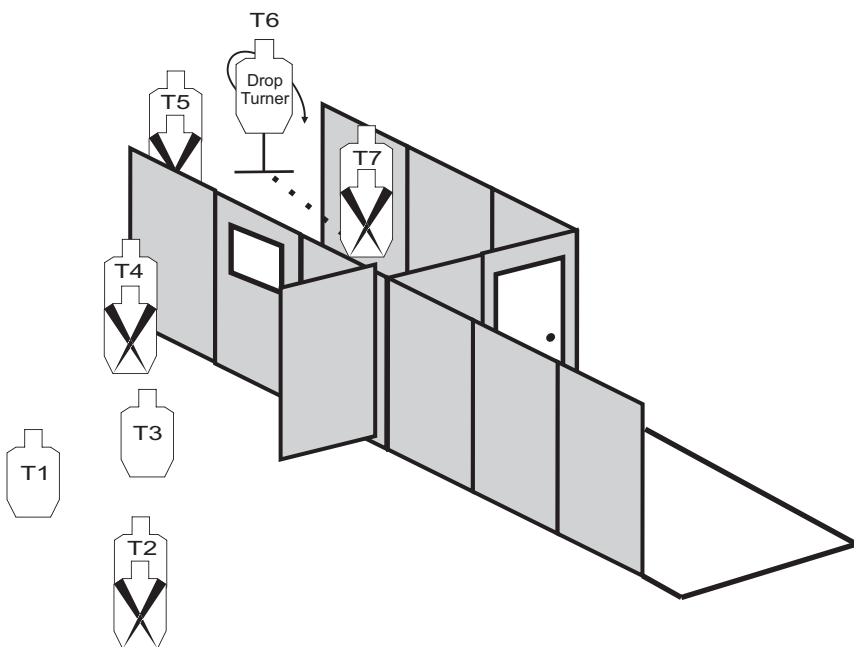


2016 USPSA CARRY OPTICS NATIONALS Stage 2

Backup III

Course Designer: Ray Hirst

- Start Position:** Strong hand on door knob weak hand naturally at side gun loaded in ready condition and holstered.
- Procedure:** Upon start signal, engage all targets as visible, from the area indicated.
- Scoring:** Comstock, 14 rounds, 70 points
- Targets:** 7 Metric.
- Scored Hits:** Best 2/paper, Steel--1 KD = 1 "A"
- Start - Stop:** Audible - Last Shot
- Penalties:** Per current edition of USPSA Rule Book.
- Notes:** Opening door activates Turner T6.



2016 USPSA CARRY OPTICS NATIONALS Stage 3

Side Show II

Course Designer: Ray Hirst

Start Position: Hands on either set of X's, gun loaded and holstered.

Procedure: Upon start signal, engage all targets as visible, from the area indicated.

Scoring: Comstock, 22 rounds, 110 points

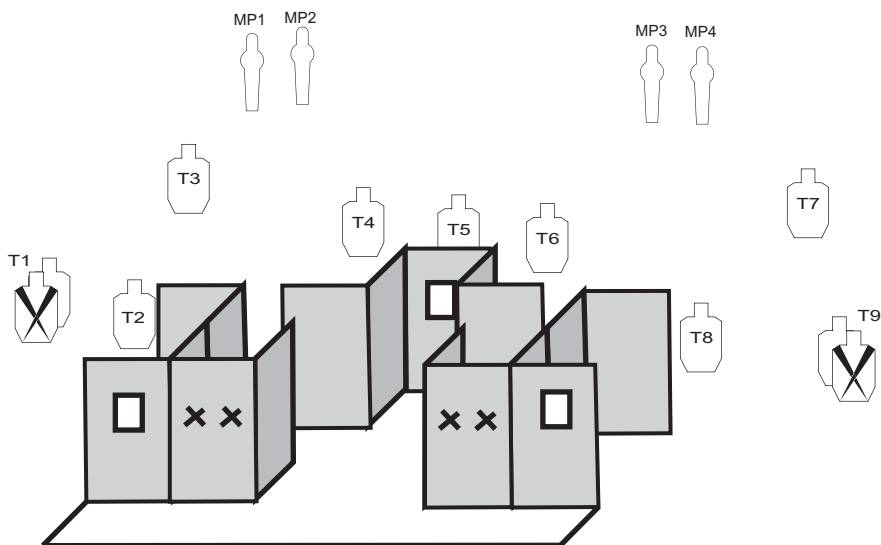
Targets: 9 Metric, 4 Mini poppers

Scored Hits: Best 2/paper, Steel: 1 KD = 1 "A"

Start - Stop: Audible - Last Shot

Penalties: Per current edition of USPSA Rule Book.

Notes: T5 is a low target.

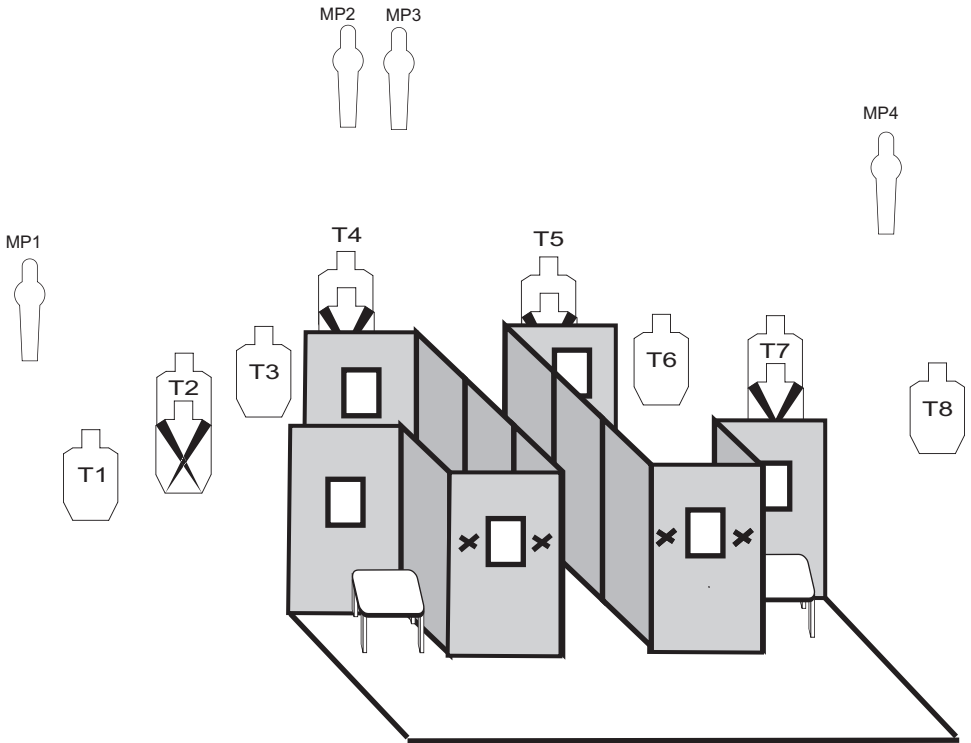


2016 USPSA CARRY OPTICS NATIONALS Stage 4

All Mags On Table II

Course Designer: Ray Hirst

- Start Position:** Hands on either set of X's loaded gun and all ammo on tables.
- Procedure:** Upon start signal engage all targets as visible, from the area indicated.
- Scoring:** Comstock, 20 rounds, 100 points
- Targets:** 8 Metric, 4 mini poppers
- Scored Hits:** Best 2/paper, Steel: 1 KD = 1 "A"
- Start - Stop:** Audible - Last Shot
- Penalties:** Per current edition of USPSA Rule Book.

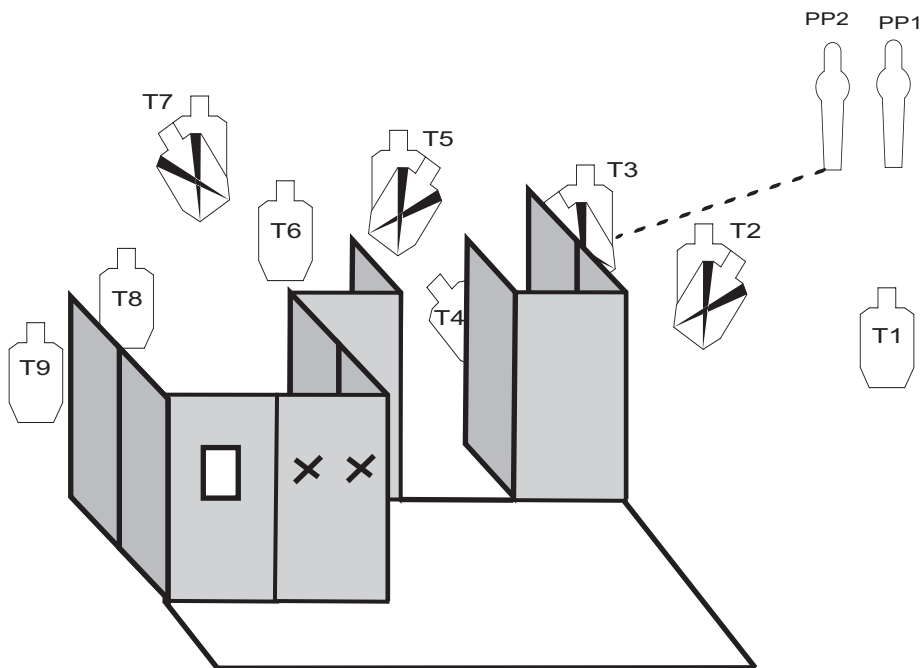


2016 USPSA CARRY OPTICS NATIONALS Stage 5

Roll Right II

Course Designer: Ray Hirst

- Start Position:** Hands on marks head centered on marks.
Procedure: Upon start signal engage all targets as visible, from the area indicated.
Scoring: Comstock, 20 rounds, 100 points
Targets: 9 Metric, 2 Poppers
Scored Hits: Best 2/paper, Steel--1 KD = 1 "A"
Start - Stop: Audible - Last Shot
Penalties: Per current edition of USPSA Rule Book.
Notes: PP2 activates Dropout T4



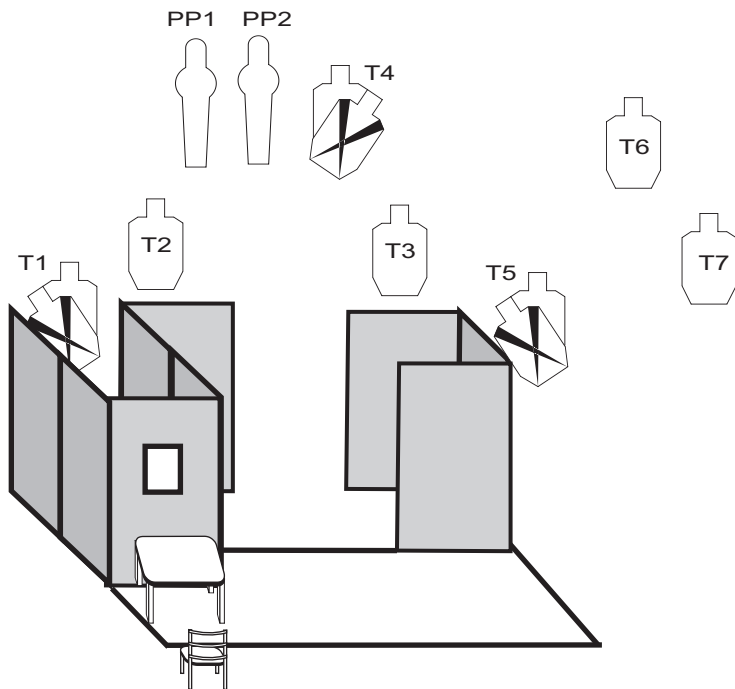
2016 USPSA CARRY OPTICS NATIONALS

Stage 6

Table it II

Course Designer: Ray Hirst

- Start Position:** Sitting in chair hands on knees loaded gun on table.
- Procedure:** Upon start signal engage all targets as visible, from the area indicated.
- Scoring:** Comstock, 16 rounds, 80 points
- Targets:** 7 Metric, 2 Poppers.
- Scored Hits:** Best 2/paper, Steel--1 KD = 1 "A"
- Start - Stop:** Audible - Last Shot
- Penalties:** Per current edition of USPSA Rule Book.

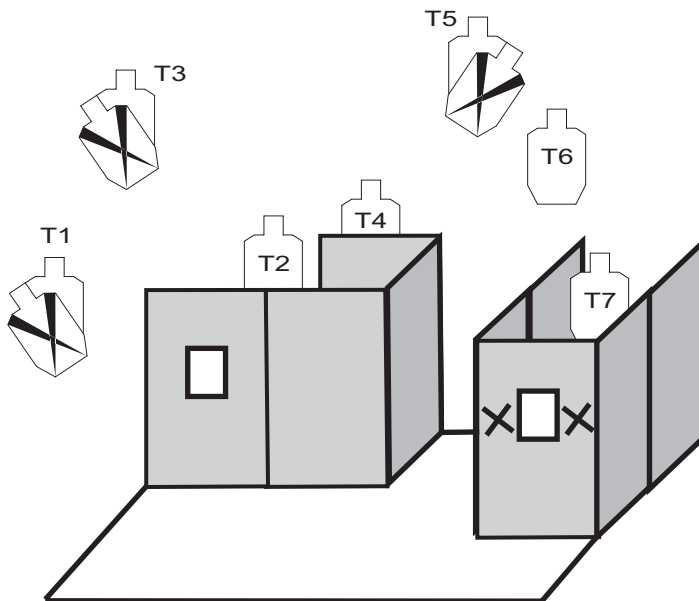


2016 USPSA CARRY OPTICS NATIONALS Stage 7

Window View II

Course Designer: Ray Hirst

- Start Position:** Hands on marks, gun loaded and holstered.
Procedure: Upon start signal, engage all targets as visible, from the area indicated.
Scoring: Comstock, 14 rounds, 70 points
Targets: 7 Metric,
Scored Hits: Best 2/paper.
Start - Stop: Audible - Last Shot
Penalties: Per current edition of USPSA Rule Book.

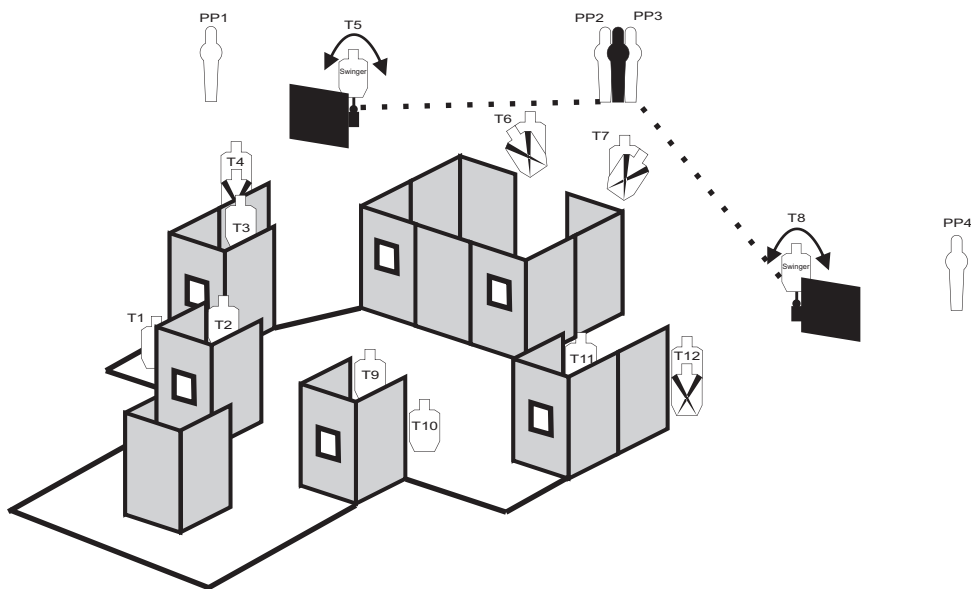


2016 USPSA CARRY OPTICS NATIONALS Stage 8

Pick Your Way II

Course Designer: Ray Hirst

- Start Position:** Heels touching anywhere on back fault line.
gun loaded in ready condition and holstered.
- Procedure:** Upon start signal, engage all targets as visible, from the area indicated.
- Scoring:** Comstock, 28 rounds, 140 points
- Targets:** 12 Metric, 4 Poppers
- Scored Hits:** Best 2/paper, Steel: 1 KD = 1 "A"
- Start - Stop:** Audible - Last Shot
- Penalties:** Per current edition of USPSA Rule Book.
- Notes:** PP3 activates Swinger T8, PP2 activates Swinger T5, T2 & T9 are low targets.

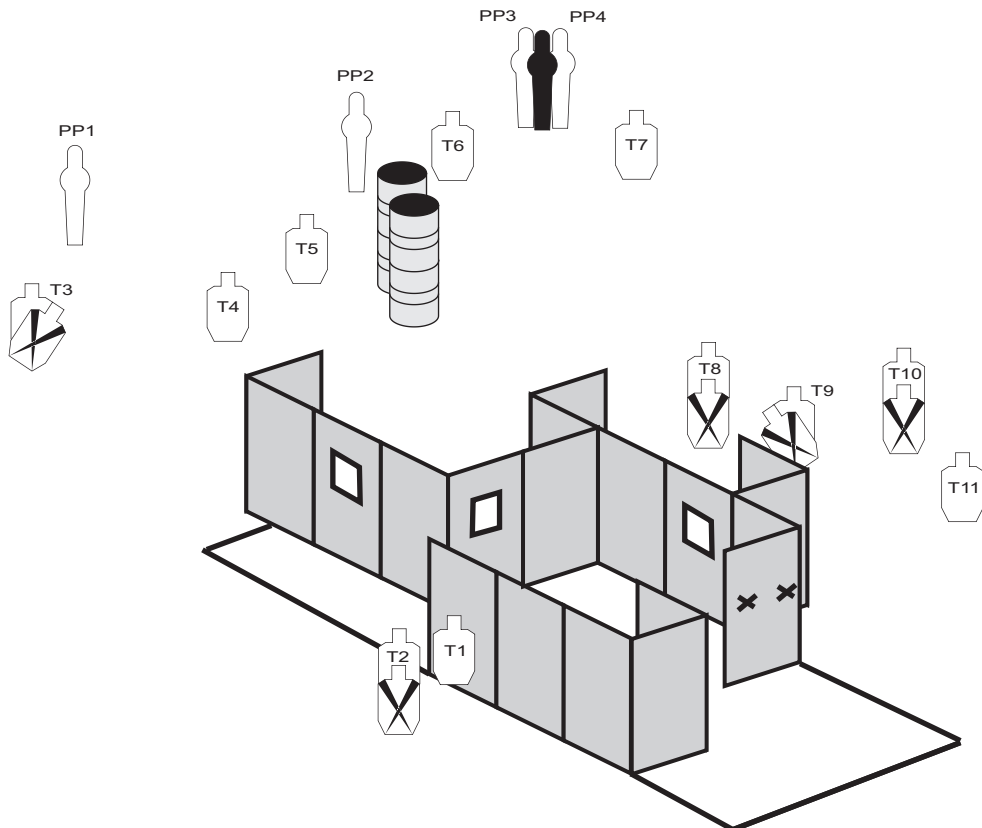


2016 USPSA CARRY OPTICS NATIONALS Stage 9

Trickey II

Course Designer: Ray Hirst

- Start Position:** Hands on X's, head centered between X's.
gun loaded in ready condition and holstered.
- Procedure:** Upon start signal, engage all targets as visible, from the area indicated.
- Scoring:** Comstock, 26 rounds, 130 points
- Targets:** 11 Metric, 4 PP
- Scored Hits:** Best 2/paper, Steel: 1 KD = 1 "A"
- Start - Stop:** Audible - Last Shot
- Penalties:** Per current edition of USPSA Rule Book.



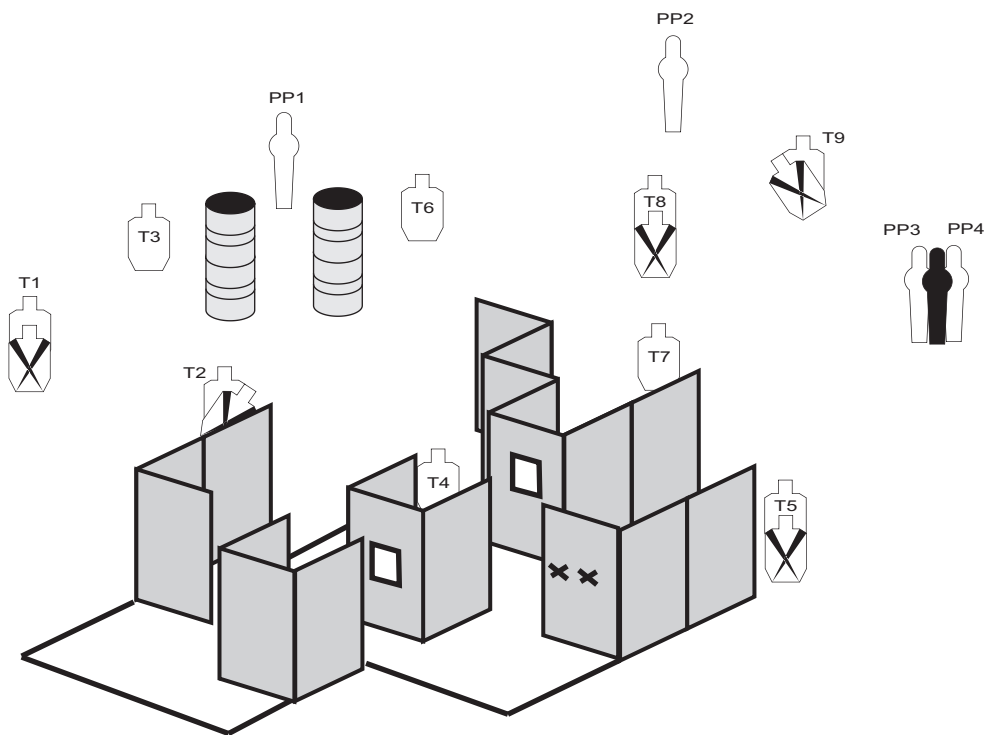
2016 USPSA CARRY OPTICS NATIONALS

Stage 10

Twisted II

Course Designer: Ray Hirst

- Start Position:** Hands on X's, head centered between X's. gun loaded in ready condition and holstered.
- Procedure:** Upon start signal, engage all targets as visible, from the area indicated.
- Scoring:** Comstock, 22 rounds, 110 points
- Targets:** 9 Metric, 4 PP
- Scored Hits:** Best 2/paper, Steel: 1 KD = 1 "A"
- Start - Stop:** Audible - Last Shot
- Penalties:** Per current edition of USPSA Rule Book.
- Notes:** T4 is low target.

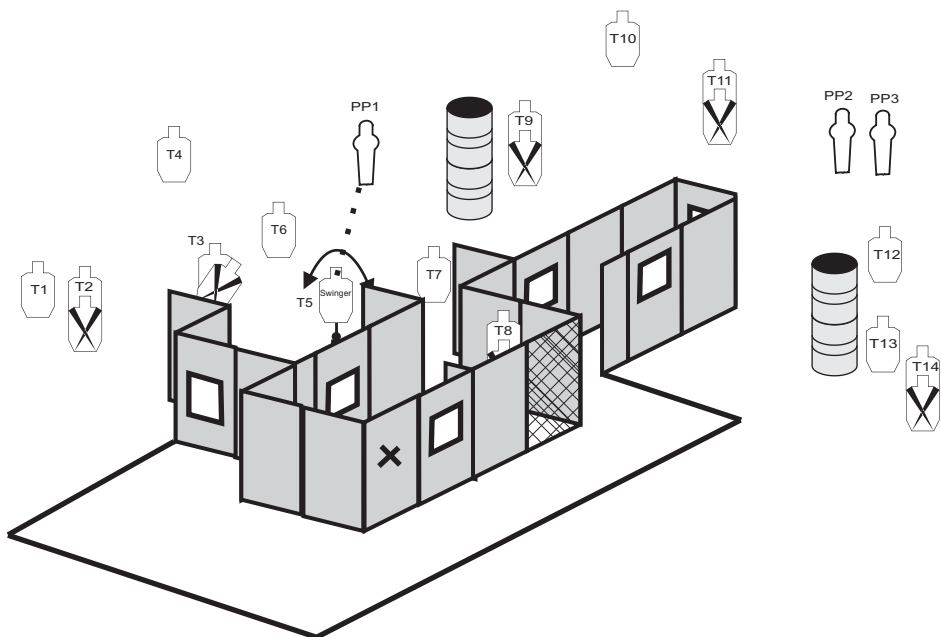


2016 USPSA CARRY OPTICS NATIONALS Stage 11

Fun With Windows II

Course Designer: Ray Hirst

- Start Position:** Left shoulder on X hands naturally at sides, gun loaded and holstered.
- Procedure:** Upon start signal engage all targets as visible from the area indicated.
- Scoring:** Comstock, 31 rounds, 155 points
- Targets:** 14 Metric, 3 Poppers
- Scored Hits:** Best 2/paper, Steel--1 KD = 1 "A"
- Start - Stop:** Audible - Last Shot
- Penalties:** Per current edition of USPSA Rule Book.
- Notes:** PP1 activates Swinger T5.



2016 USPSA CARRY OPTICS NATIONALS Stage 12

Get Ready My Man II

Course Designer: Ray Hirst

Start Position: Heels either set of marks hands naturally at side gun

Procedure: loaded and holstered,
Upon start signal engage all targets as visible, from the area indicated.

Scoring: Comstock, 32 rounds, 160 points

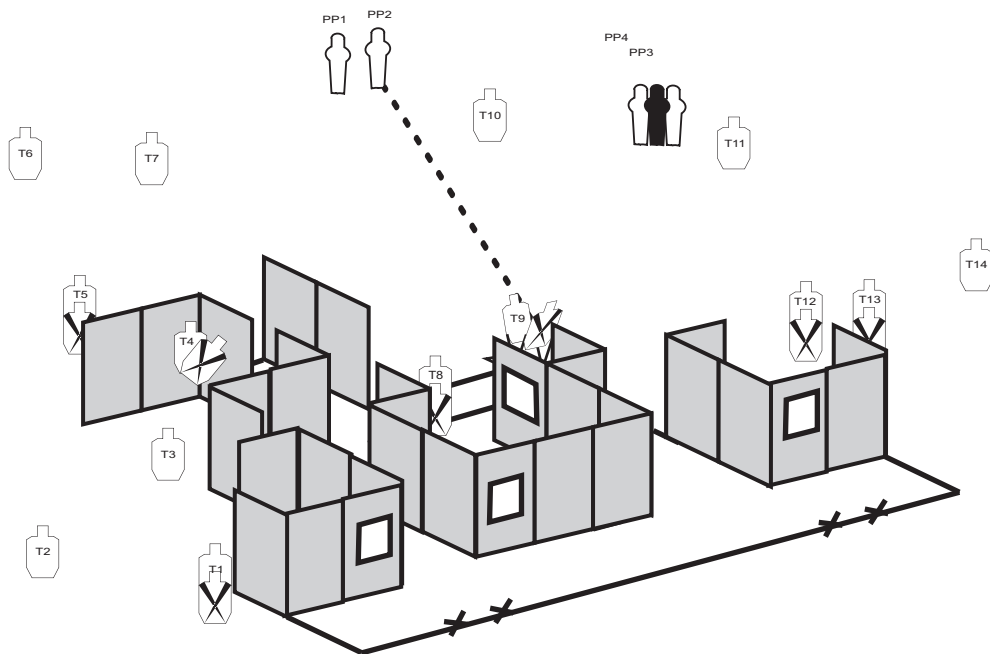
Targets: 14 Metric, 4 Poppers

Scored Hits: Best 2/paper, Steel--1 KD = 1 "A"

Start - Stop: Audible - Last Shot

Penalties: Per current edition of USPSA Rule Book.

Notes: PP2 activates Gravity turner T9.

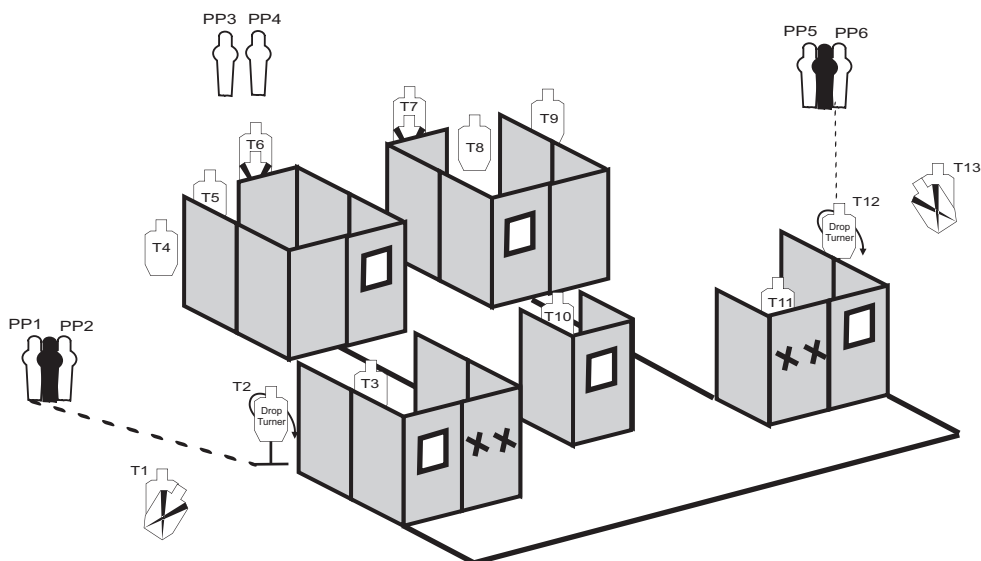


2016 USPSA CARRY OPTICS NATIONALS Stage 13

Where Are They II

Course Designer: Ray Hirst

- Start Position:** Hands on either set of marks, gun loaded and holstered.
- Procedure:** Upon start signal engage all targets as visible, from the area indicated.
- Scoring:** Comstock, 32 rounds, 160 points
- Targets:** 13 Metric, 6 Poppers
- Scored Hits:** Best 2/paper, Steel--1 KD = 1 "A"
- Start - Stop:** Audible - Last Shot
- Penalties:** Per current edition of USPSA Rule Book.
- Notes:** PP1 activates gravity turner T2 & PP6 activates gravity turner T12.
T3, T10 & T11 are low targets.



2016 USPSA CARRY OPTICS NATIONALS

Stage 14

Double Max With a Twist II

Course Designer: Ray Hirst

- Start Position:** Hands touching bottom of either window, gun loaded and holstered in ready condition.
- Procedure:** Upon start signal engage all targets as visible from the area indicated.
- Scoring:** Comstock, 30 rounds, 150 points
- Targets:** 13 Metric, 4 Poppers
- Scored Hits:** Best 2/paper, Steel--1 KD = 1 "A"
- Start - Stop:** Audible - Last Shot
- Penalties:** Per current edition of USPSA Rule Book.
- Notes:** Door activates Turner T7, PP2 activates Max trap T4, PP3 activates Max trap T10.

